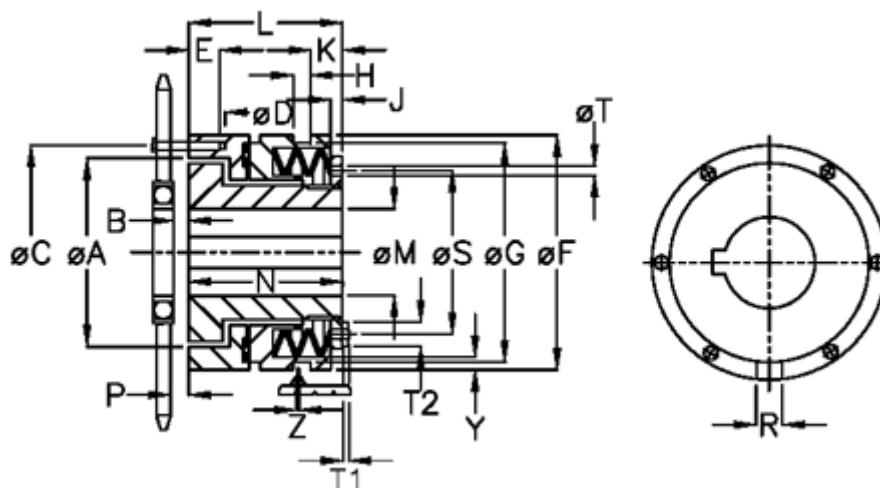


Article number: 46932011

Description: Torque limiter Synchron A 20 S

Measures



| | | | | | |
|----------------------|-------------|-------|--------|----|-------|
| A | = 41.0 | G | = 50.0 | P | = 3.0 |
| B | = 4.0 | H | = 9 | R | = 6 |
| C | = 48 | J | = 3.0 | S | = 36 |
| D | = 6xM5 | K | = 8.0 | T | = 4 |
| Disc spring mounting | = 6x1S | L | = 39.0 | T1 | = 3.0 |
| Disc spring version | = S - light | M max | = 20 | T2 | = 7 |
| E | = 7.0 | M min | = 7 | Y | = 2 |
| F | = 55 | N | = 35.0 | Z | = 0.0 |